

SHAFT COUPLINGS

SLEEVE TYPE

FCP SERIES



SPLINED HUBS AND URETHANE SLEEVE accommodate misalignment to 5°.

SLEEVE STOCK available for producing special lengths.

NO LUBRICATION NEEDED

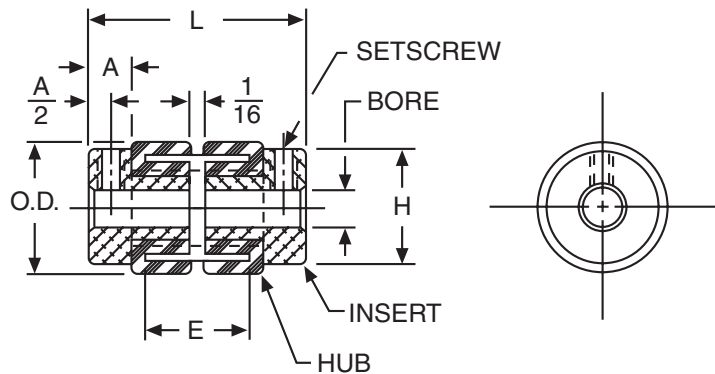
COMPLETE WITH SETSCREWS

MATERIALS

Urethane Sleeves
Delrin Hubs
Aluminum Alloy Inserts

STANDARD TOLERANCES

DIMENSION		TOLERANCE
BORE	All	+0.001 -0.000



REFERENCE PAGES

Alignment—148

ALL DIMENSIONS IN INCHES
ORDER BY CATALOG NUMBER OR ITEM CODE

Bore	O.D.	A	E	H	L	Setscrew	Complete Coupling		Insert and Hub Assembly		Sleeve Only	
							Catalog Number	Item Code	Catalog Number	Item Code	Catalog Number	Item Code
.125	37/64	7/32	7/16	9/16	15/16	4-40	FCP21-1/8	54893	XFCP21-1/8	54903	X5R21-16	54913
.1875						FCP21-3/16	54894	XFCP21-3/16	54904			
.250						FCP21-1/4	54895	XFCP21-1/4	54905			
.3125	1-5/64	3/8	11/16	1	1-9/16	8-32	FCP23-5/16	54899	XFCP23-5/16	54909	X5R23-32	54915
.375						FCP23-3/8	54900	XFCP23-3/8	54910			
.4375						FCP23-7/16	54901	XFCP23-7/16	54911			
.500						FCP23-1/2	54902	XFCP23-1/2	54912			

LOAD DATA

HORSEPOWER RATINGS (Maximum) AT 1750 RPM

Size	Horsepower
FCP21	1/20
FCP23	1/2

SLEEVE STOCK

ORDER BY CATALOG NUMBER OR ITEM CODE

O.D.	Length (Inches)	Catalog Number	Item Code
1/2	10	5R21-16S	54916
1	12	5R23-32S	54918